

# SWIWIN SW400pro 400N thrust micro turbine



# SW400pro complete set



Engine package  
Contains  
following items :

Engine and fix ring  
V4 ECU  
Brushless pump  
Data terminal  
Engine cable  
Signal cable  
Battery cable  
Filter  
Ball valve

# specifications

- ▣ SW400pro

- ▣ Diameter : 146mm

- ▣ Length : 342mm

- ▣ Body weight : 3000g

- ▣ Rpm range : 33,000-95,000

- ▣ Thrust : 400N ( 40Kg )

- ▣ Max exhaust temp : 700°C

- ▣ Max fuel consumption : 1000g/min

Maintenance Interval:25-35hrs

Fuel : Jet A1 or Diesel

Lubrication : Mobil jet oil II 5%

Brushless starter

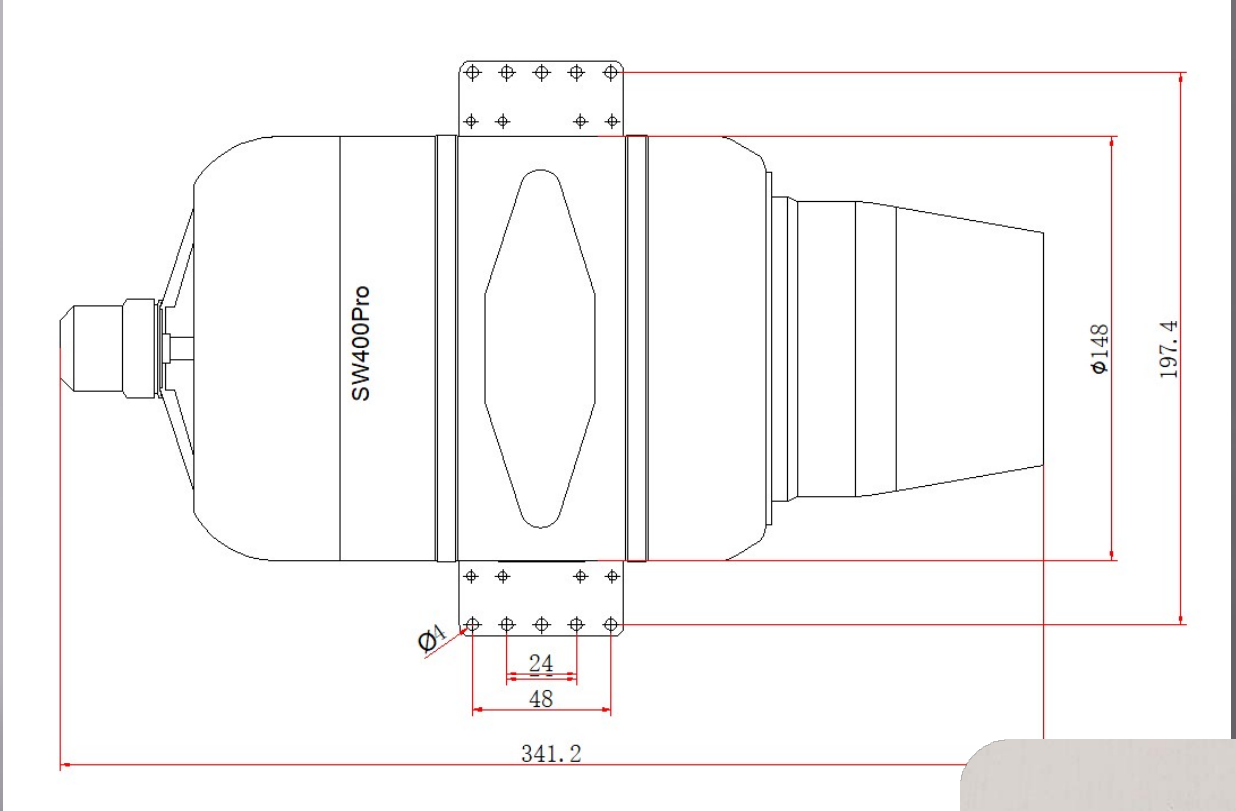
Brushless pump

Auto-restart function

Telemetry function

Running data recording

RS-232 digital interface

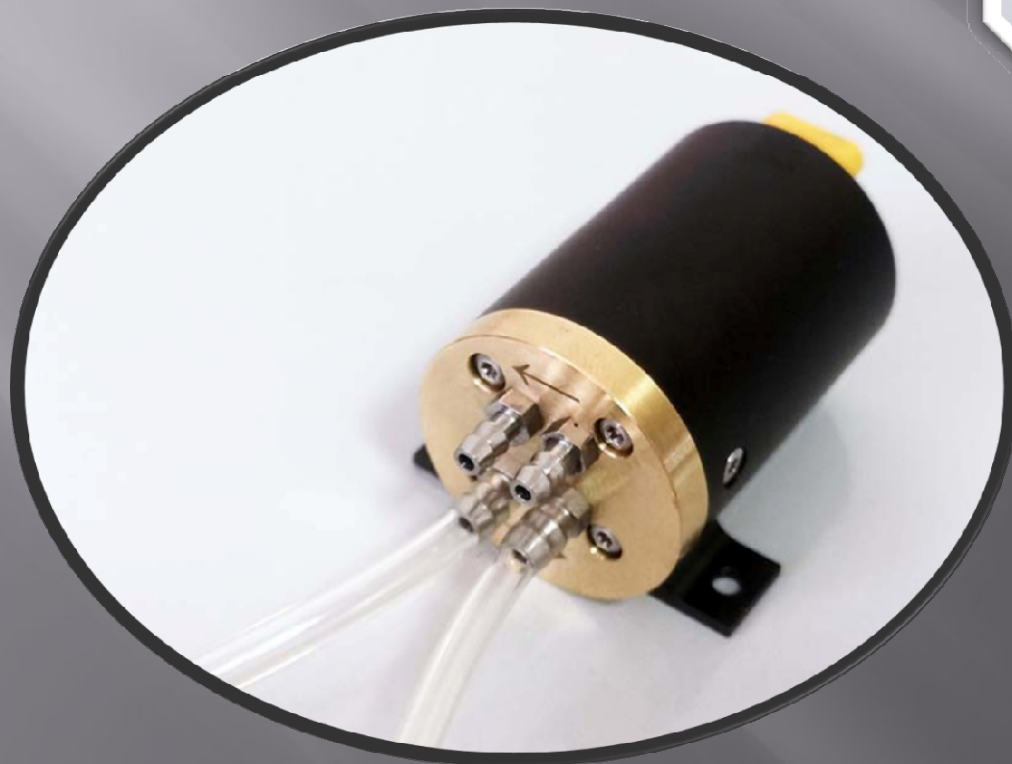


[www.sw-jet.com](http://www.sw-jet.com)

SW400pro

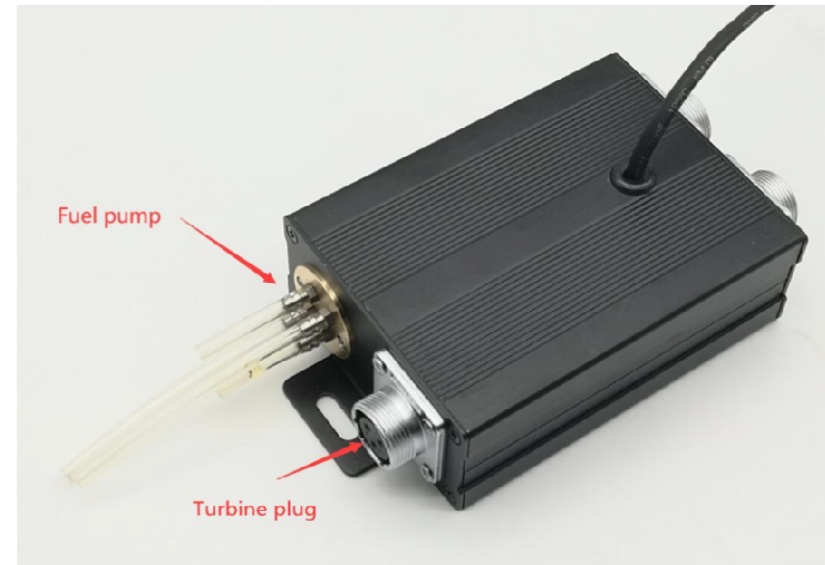


Brushless motor  
Starter



New version  
Brushless pump

# V4 ECU & Color GSU



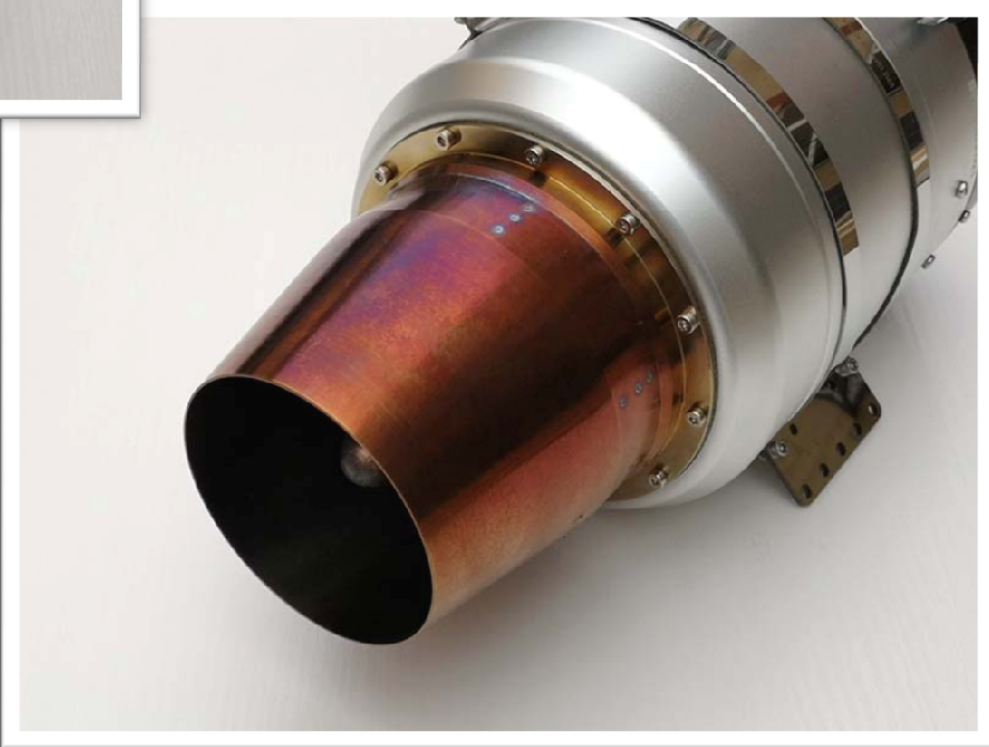
The SWIWIN V4 ECU was designed from the ground up and is based on 32 bit microprocessor functionality and designed specifically for SWIWIN Turbines.

The V4 ECU offers the following benefits:

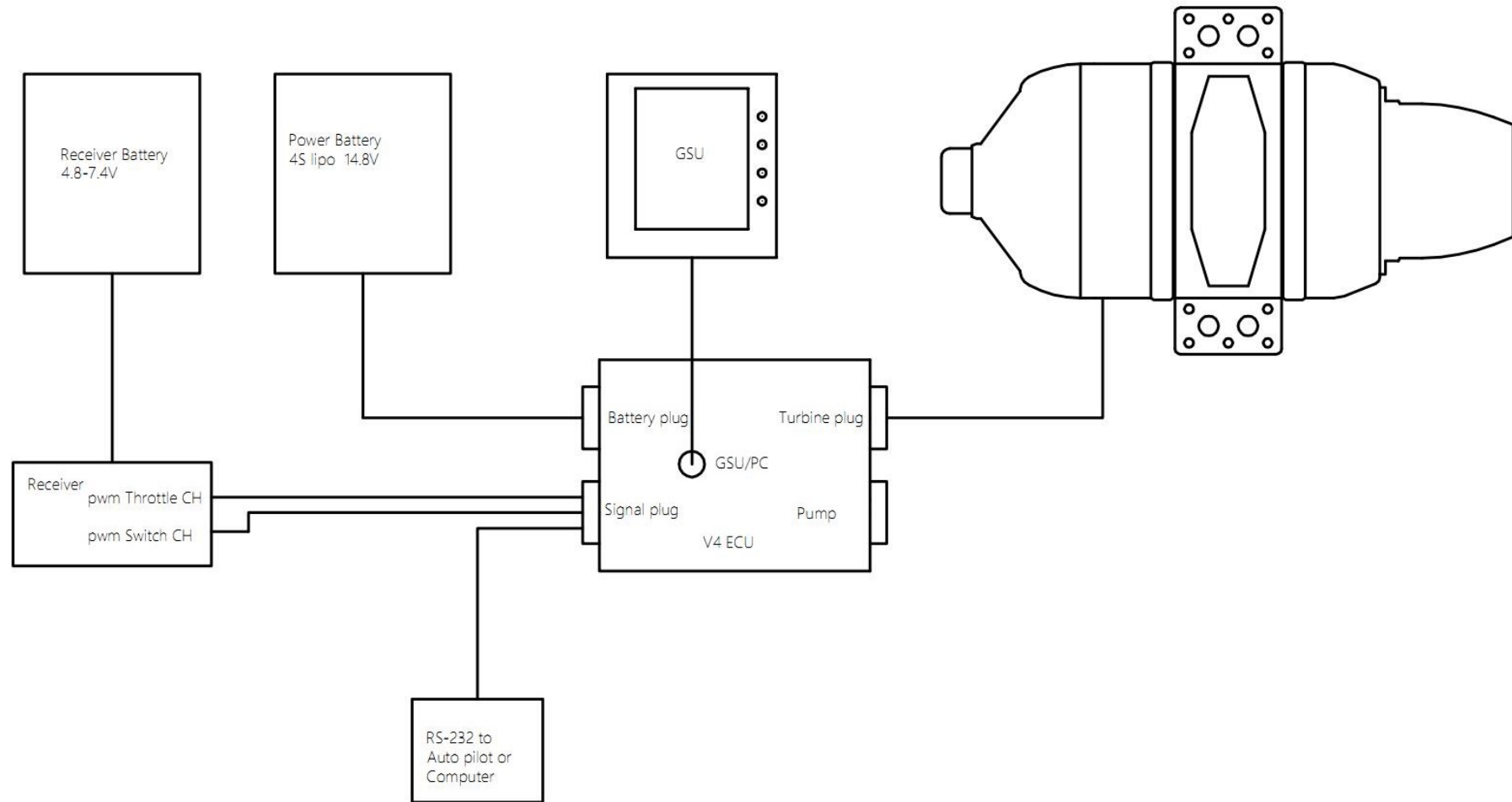
- Data Logging
- Auto start
- Automatic Restart
- Color Screen visible in direct sunlight
- Configurable thrust curve with very fast throttle response
- Telemetry function
- RS-232 Digital interface



[www.sw-jet.com](http://www.sw-jet.com) SW400pro



# System connection



Note: SW400pro use 4S battery



# Fuel line connection

